

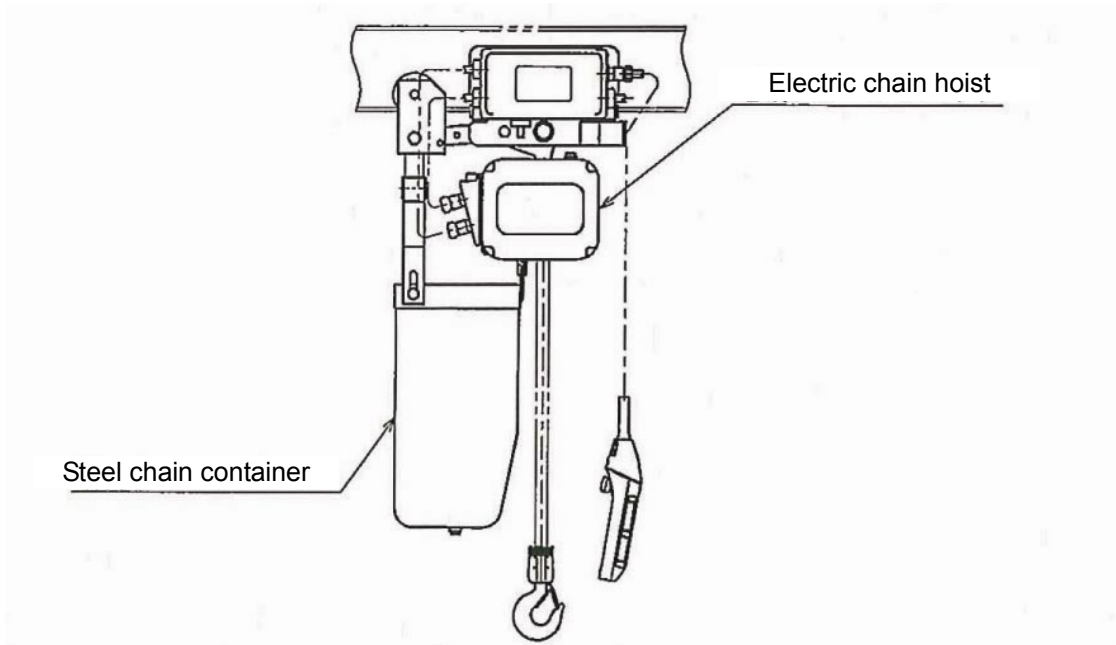
ER2 Steel Chain Container (125kg to 5t)

Instruction Manual

KA, KB, KC type
2-wheel chain suspension type
Hook chain suspension type

⚠ CAUTION	
! COMPULSORY	<p>This instruction manual describes specific instructions related to the Steel Chain Container for ER2 Series Electric Chain Hoist.</p> <p>Read and comply with the instructions given in this manual and “ER2 Series Electric Chain Hoist Owner’s Manual” (separate document).</p>

1. Product Overview



The electric chain hoist and steel chain container are disassembled before shipment. Read the installation methods starting in Section 3 before installation.

⚠ CAUTION	
! COMPULSORY	<ul style="list-style-type: none"> • Upon unpacking, please check that all the necessary parts are enclosed. • The above illustration shows a typical model of the electric chain hoist with a steel chain container. The configuration or design in detail may differ from the customized model of yours.

⚠ DANGER	
⊘ PROHIBITED	<ul style="list-style-type: none"> • Make sure to use a suitable chain container for suspension type and lift. • When installing the chain container, leave some load chain (50 to 60cm in length) in the chain container (no - load side). After setting the chain container in place, lift the hook to feed the rest of the chain into the container. Note that the chain may twist and kink if stored in the container in disorder. Be careful to place the chain in the container so that it does not twist or kink. <p>Failure to follow these precautions may cause accidents resulting in serious or even fatal injury.</p>

2. Specification

There are several steel chain container installation methods depending on lift and type; KA, KB, KC, 2-wheel chain suspension and hook chain suspension type.

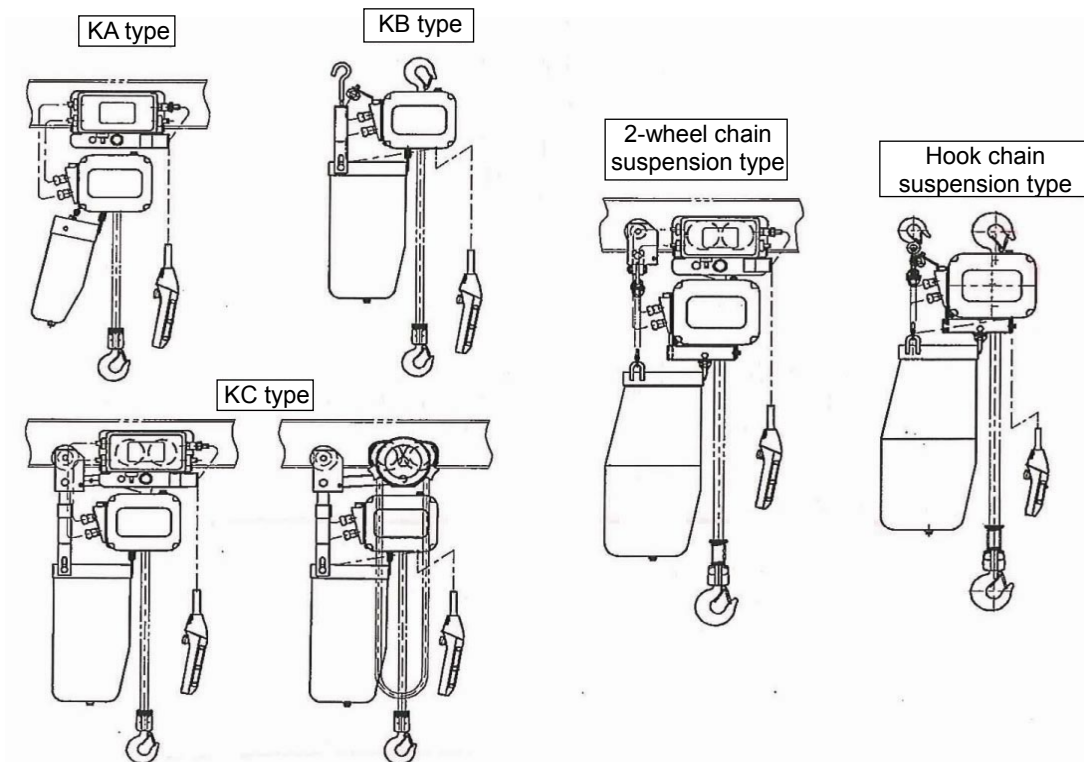
Product code	Body size of hoist	KA Type [ER2, ER2SP, ER2SG, ER2M]	KB Type [ER2]	KC Type [ER2SP, ER2SG, ER2M]	2-wheel chain suspension type [ER2SP, ER2SG, ER2M]	Hook chain suspension type [ER2]
ER2 001H, IH, HD	ER2-B	≦ 5m		15m <		N/A
ER2 003S, IS, SD		≦ 15m		15m <		N/A
ER2 003H, IH, HD	ER2-C	≦ 15m		15m <		N/A
ER2 005L, IL, LD		≦ 15m		15m <		N/A
ER2 005S, IS, SD	ER2-D	≦ 15m		15m <		N/A
ER2 009L, IL		≦ 15m		15m <		N/A
ER2 009S, IS		≦ 15m		15m <		N/A
ER2 010L, IL, LD		≦ 15m		15m <		N/A
ER2 010S, IS, SD	ER2-E	≦ 12m		12m <		38m <
ER2 015S, IS, SD		≦ 15m		15m <		N/A
ER2 020C, IC, CD	ER2-E	≦ 12m		12m <		38m <
ER2 020S, IS, SD		≦ 12m		12m <		38m <
ER2 025S, IS, SD	ER2-F	≦ 12m		12m <		32m <
ER2 028S, IS	ER2-E	≦ 6m		6m <		19m <
ER2 030S, IS, SD		≦ 6m		6m <		19m <
ER2 050S, IS, SD	ER2-F	≦ 6m		6m <		16m <

ER2 : Electric chain hoist

ER2SP : Electric chain hoist with plain trolley (Trolley: TS series)

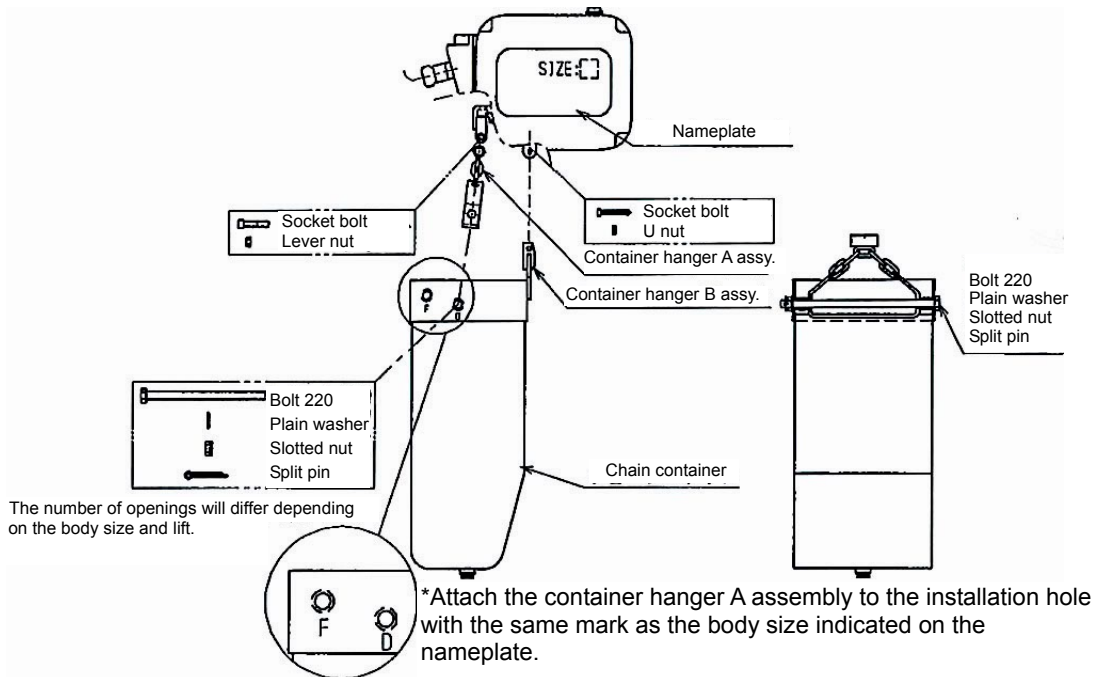
ER2SG : Electric chain hoist with geared trolley (Trolley: TS series)

ER2M : Electric chain hoist with motorized trolley



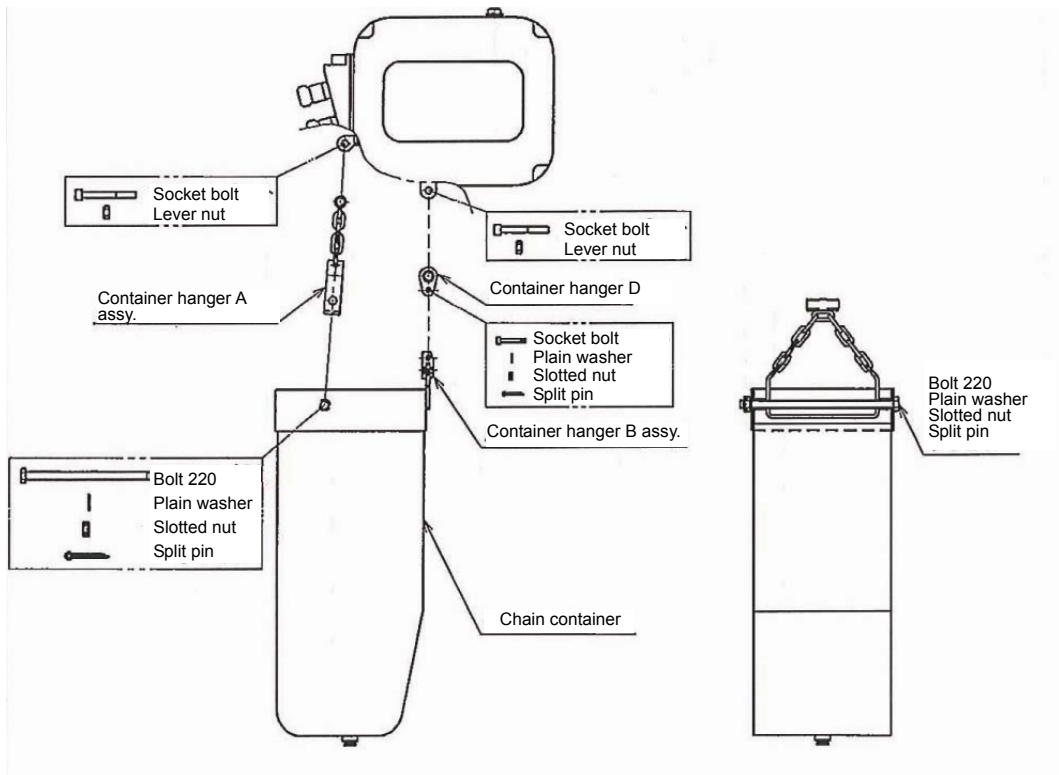
3. Installation

KA type: Body size ER2-B,C and D



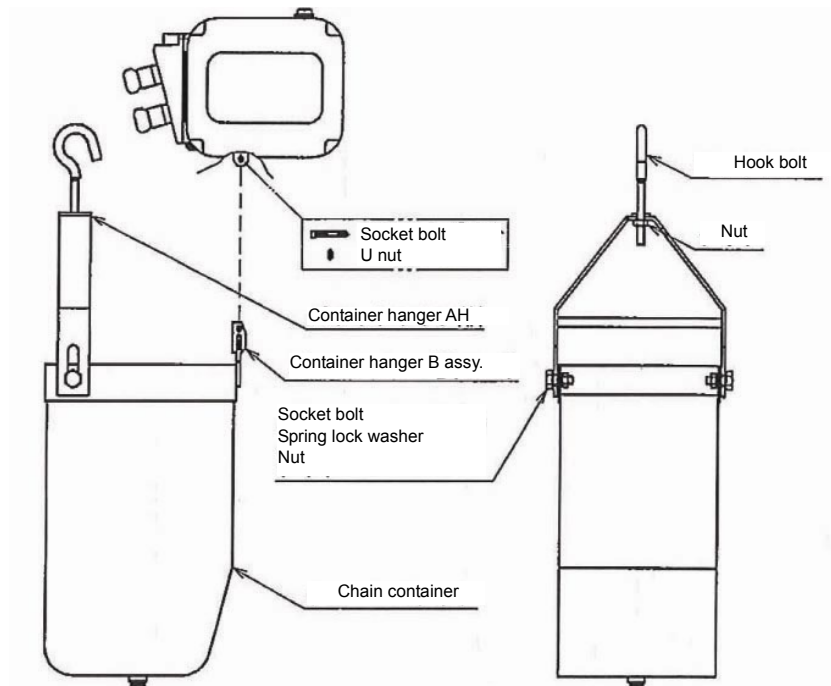
*Fix the chain container firmly to the chain hoist with the socket bolt, lever nut and U nut.

KA type: Body size ER2-E and F



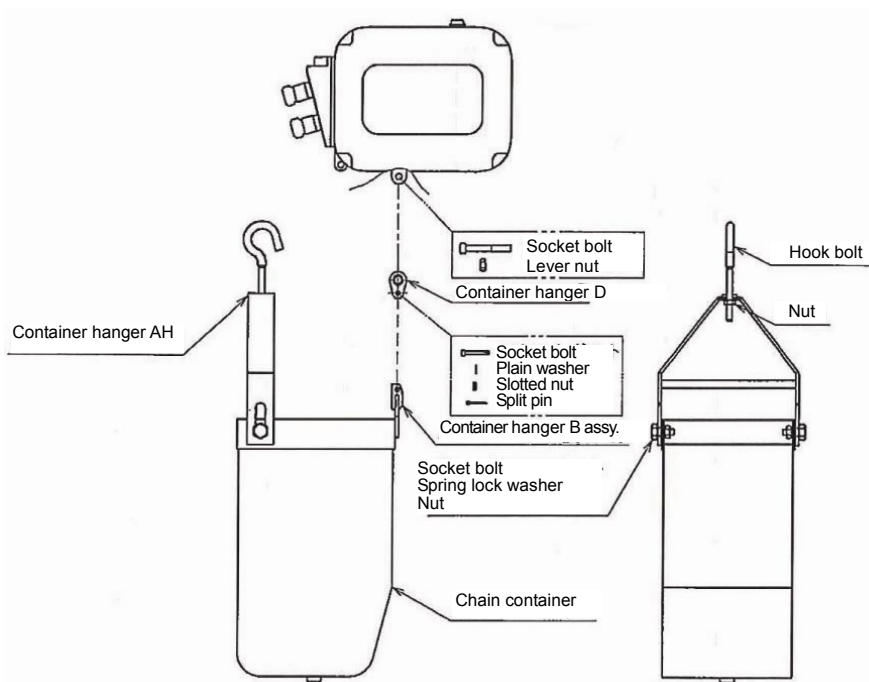
*Fix the chain container firmly to the chain hoist with the socket bolt and lever nut.

KB type: Body size ER2-B, C and D



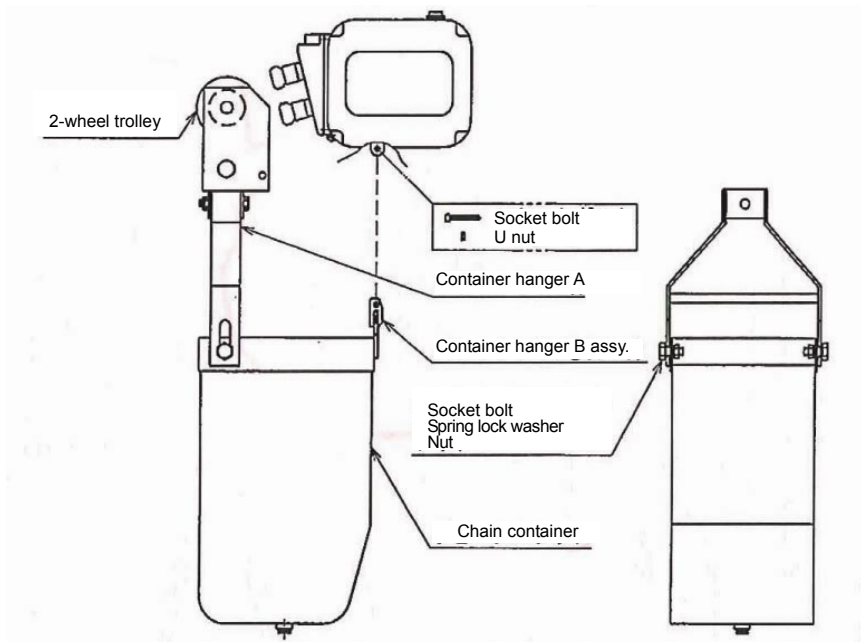
- Fix the chain container firmly to the chain hoist with the socket bolt and U nut.
- Screw the hook bolt to adjust the chain container not to tilt when loaded.

KB type: Body size ER2-E and F



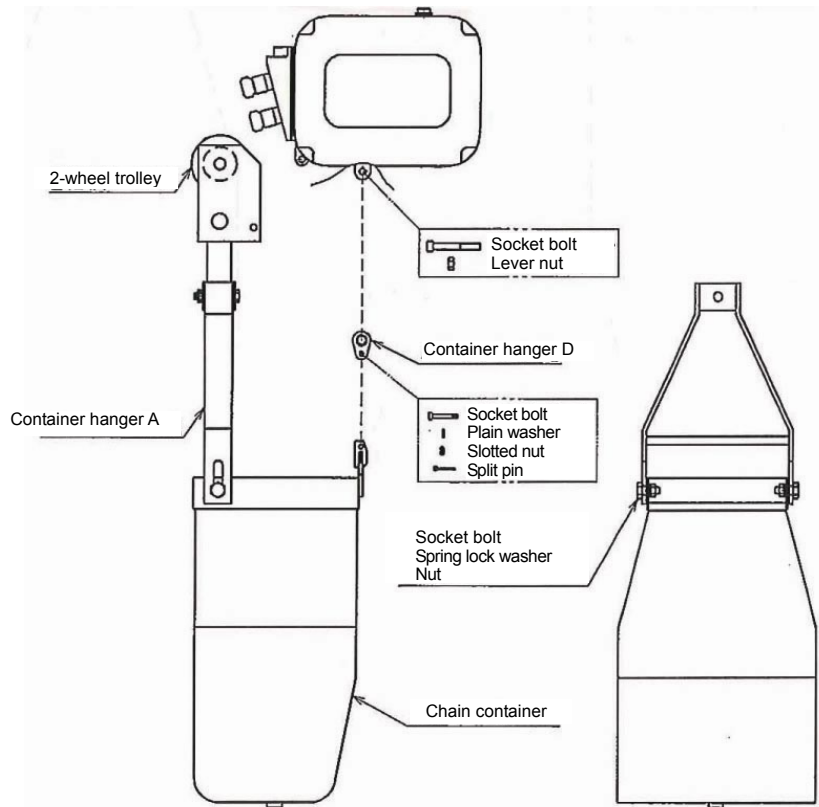
- Fix the chain container firmly to the chain hoist with the socket bolt and lever nut.
- Screw the hook bolt to adjust the chain container not to tilt when loaded.

KC type: Body size ER2-B, C and D



•Fix the chain container firmly to the chain hoist with the socket bolt and U nut.

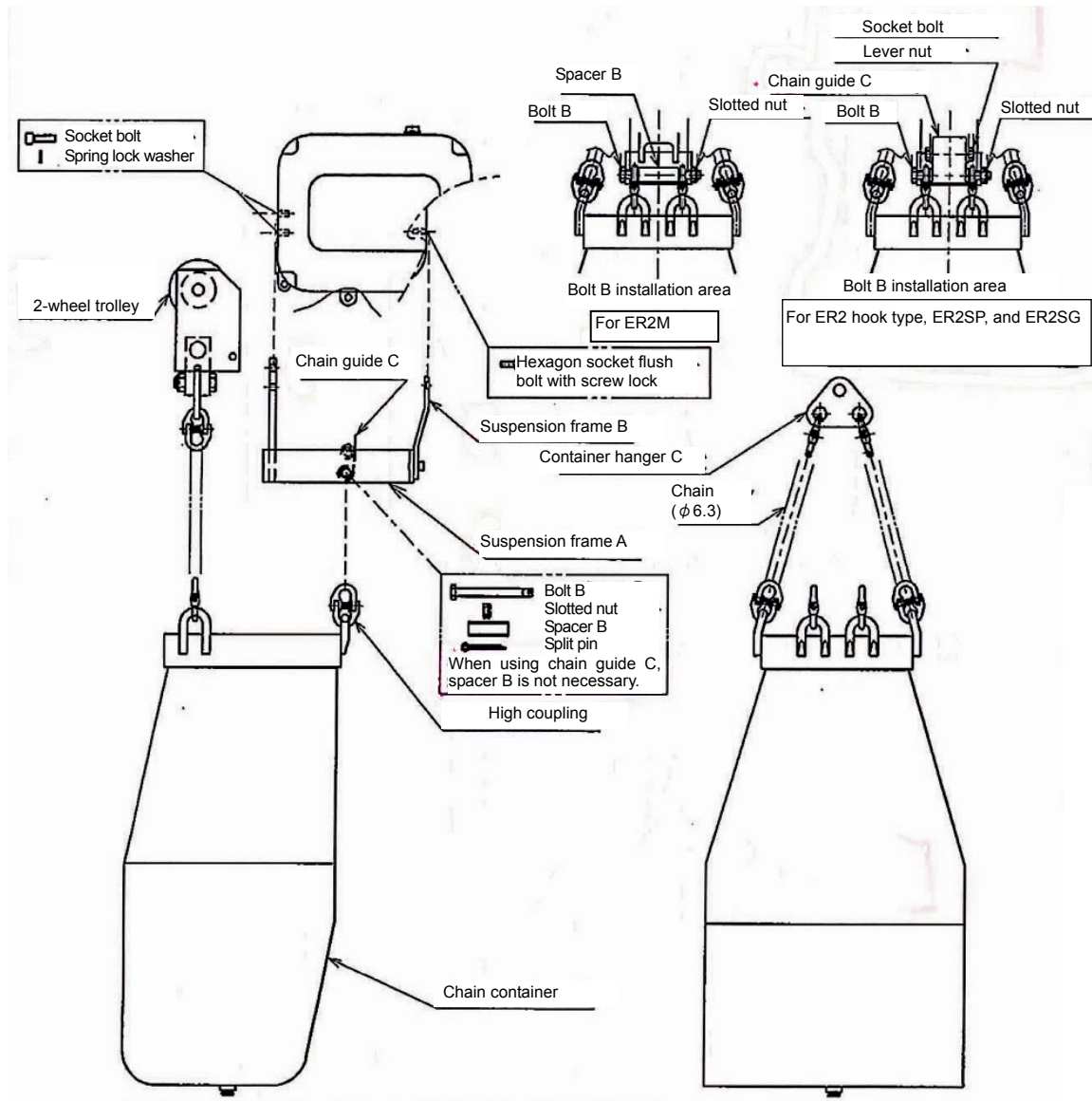
KC type: Body size ER2-E and F



•Fix the chain container firmly to the chain hoist with the socket bolt and lever nut.

2-wheel Chain Suspension type: Body size ER2-E and F

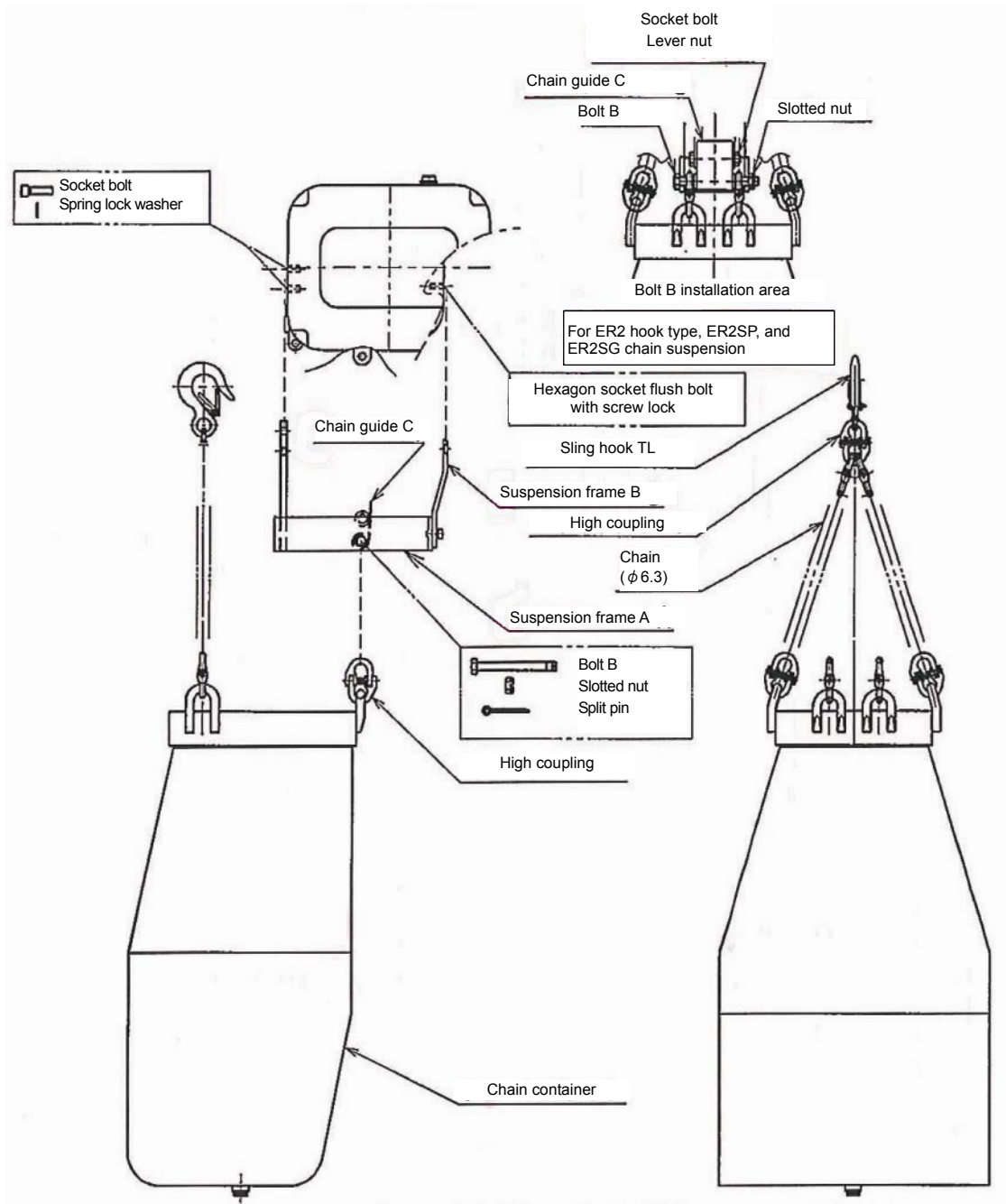
Chain capacity: ϕ 10.2 x 38.1 m or more, ϕ 11.2 x 32.1 m or more.



- Fix the suspension frame firmly to the chain hoist with the socket bolt and the hexagon socket flush bolt.
- Fix the chain container firmly to the suspension frame with the bolt B, spacer B, slotted nut and split pin.

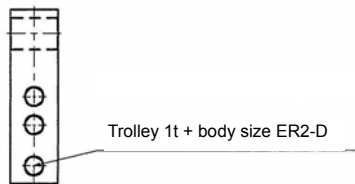
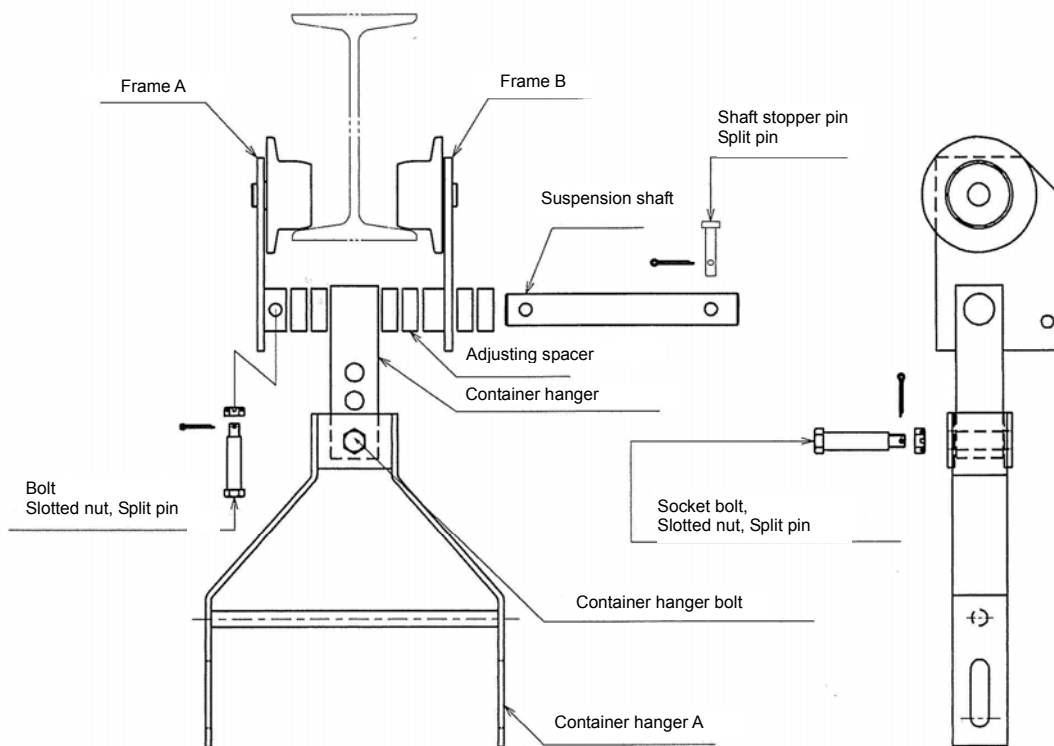
Hook Type Chain Suspension type: Body size ER2-E and F

Chain capacity: ϕ 10.2 x 38.1 m or more, ϕ 11.2 x 32.1 m or more

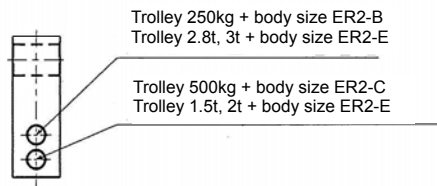


- Fix the suspension frame to the chain hoist firmly with the socket bolt and the hexagon socket flush bolt.
- Fix the chain container firmly to the suspension frame with bolt B, spacer B, slotted nut and split pin.

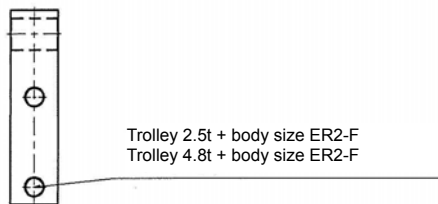
4. Assembly of 2-wheel chain suspension for KC type



For MR, GT, PT 1t coupling



For MR, GT, PT 250kg - 3t coupling (excluding 2.5t)



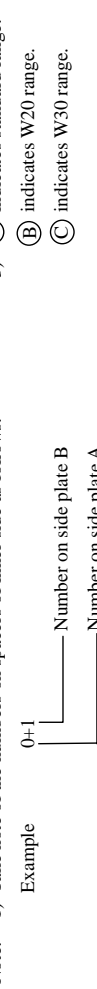
For MR, GT, PT 2.5t - 5t coupling (excluding 2.8t, 3t)

- The container hanger has two or three openings for the connection. Use the openings appropriately each for the rated load.
- The suspension shaft is available in three sizes (standard, 200mm and 300mm) depending upon the rail width. Specify it upon ordering.
- Refer to the Table 1 and 2 for the adjustment of the rail width.
- Assemble the units correctly in accordance with the arrangement shown above.

Table 2. Adjusting spacers arrangement of 2-wheel chain suspension for KC type with GT or PT

Beam flange width (mm)	Number of Adjusting Spacers																																																																																																																																																																																																																																					
	(t)	2 1/2	2 5/8	2 7/8	3	3 1/4	3 5/16	3 7/8	4	4 1/8	4 1/4	4 3/8	4 1/2	4 5/8	4 3/4	5	5 1/8	5 1/4	5 3/8	5 1/2	5 5/8	5 3/4	6	6 1/8	6 1/4	6 3/8	6 1/2	6 5/8	6 3/4	7	7 1/8	7 1/4	7 1/2	7 3/8	7 1/2	7 5/8	7 3/4	8	8 1/8	8 1/4	8 3/8	8 1/2	8 5/8	8 3/4	9	9 1/8	9 1/4	9 3/8	9 1/2	9 5/8	9 3/4	10	10 1/8	10 1/4	10 3/8	10 1/2	10 5/8	10 3/4	11	11 1/8	11 1/4	11 3/8	11 1/2	11 5/8	11 3/4	11 7/8	11 5/4	11 3/2	11 1/2	11 1/4	11 1/8	11 3/8	11 1/2	11 5/8	11 3/4	11 7/8	11 5/4	11 3/2																																																																																																																																																								
Capacity	Inner	64	73	74	75	76	77	78	79	80	81	82	83	84	85	86	87	88	89	90	91	92	93	94	95	96	97	98	99	100	101	102	103	104	105	106	107	108	109	110	111	112	113	114	115	116	117	118	119	120	121	122	123	124	125	126	127	128	129	130	131	132	133	134	135	136	137	138	139	140	141	142	143	144	145	146	147	148	149	150	151	152	153	154	155	156	157	158	159	160	161	162	163	164	165	166	167	168	169	170	171	172	173	174	175	176	177	178	179	180	181	182	183	184	185	186	187	188	189	190	191	192	193	194	195	196	197	198	199	200	201	202	203	204	205	206	207	208	209	210	211	212	213	214	215	216	217	218	219	220	221	222	223	224	225	226	227	228	229	230	231	232	233	234	235	236	237	238	239	240	241	242	243	244	245	246	247	248	249	250	251	252	253	254	255	256	257	258	259	260	261	262	263	264	265	266	267	268	269	270	271	272	273	274	275	276	277	278	279	280	281	282	283	284	285	286	287	288	289	290	291	292	293	294	295	296	297	298	299	300
	Outer	66	75	76	77	78	79	80	81	82	83	84	85	86	87	88	89	90	91	92	93	94	95	96	97	98	99	100	101	102	103	104	105	106	107	108	109	110	111	112	113	114	115	116	117	118	119	120	121	122	123	124	125	126	127	128	129	130	131	132	133	134	135	136	137	138	139	140	141	142	143	144	145	146	147	148	149	150	151	152	153	154	155	156	157	158	159	160	161	162	163	164	165	166	167	168	169	170	171	172	173	174	175	176	177	178	179	180	181	182	183	184	185	186	187	188	189	190	191	192	193	194	195	196	197	198	199	200	201	202	203	204	205	206	207	208	209	210	211	212	213	214	215	216	217	218	219	220	221	222	223	224	225	226	227	228	229	230	231	232	233	234	235	236	237	238	239	240	241	242	243	244	245	246	247	248	249	250	251	252	253	254	255	256	257	258	259	260	261	262	263	264	265	266	267	268	269	270	271	272	273	274	275	276	277	278	279	280	281	282	283	284	285	286	287	288	289	290	291	292	293	294	295	296	297	298	299	300		

Note: 1) Take note of the numbers on spacers of inner side as follows.

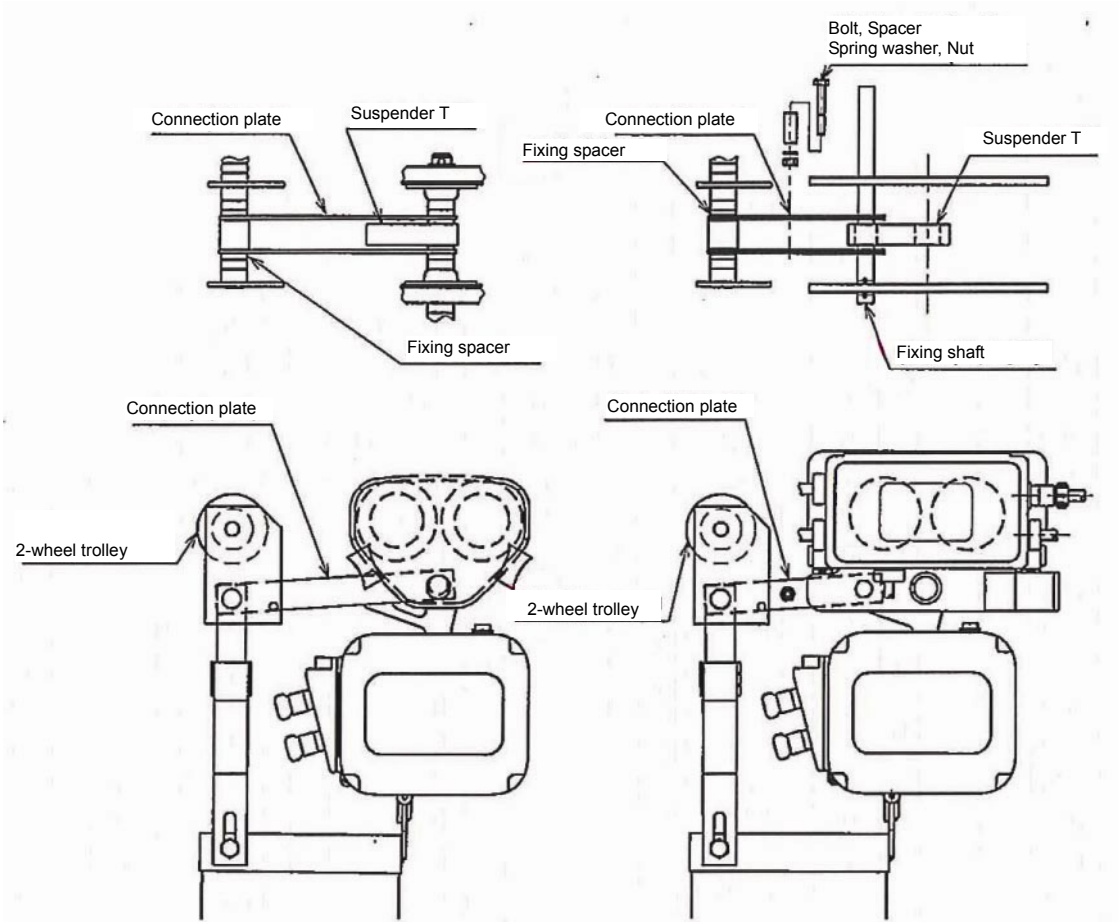


(t)	(in)	6 7/8	7 7/8
1			
2 • 3	(A)	(B)	(C)
5			

3) Adjustment of trolley width
Adjust the dimensions by appropriately increasing or decreasing the number of inner or outer adjusting spacers, without strictly adhering to the number of adjusting spacers shown in the above table.



4) Example of spacers arrangement



5. Assembly of KC type with trolley



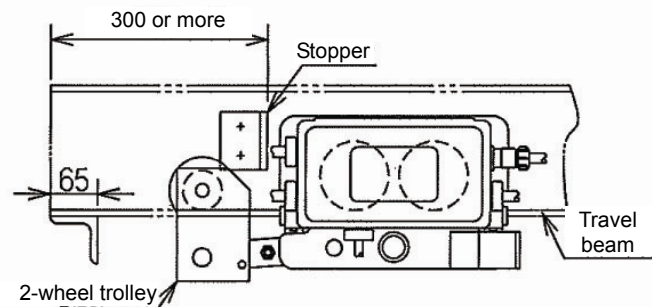
- The connection plate, fixing spacers, thin and thick spacers are enclosed in your package as the standard accessory parts of the steel chain container.
- Assemble KC type hoist with trolley in accordance with the drawings above.
- Adjust the beam flange width on the basis of the Table 3. The beam flange width for MR trolley shall be adjusted in accordance with the instructions described in the ER2 Series Electric Chain Hoist Owner's Manual.

6. Post-installation Checks

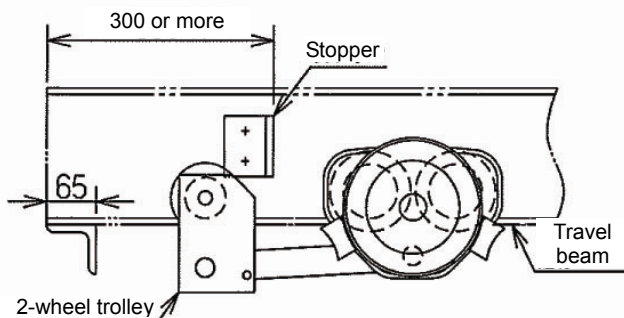
 CAUTION	
 COMPULSORY	<ul style="list-style-type: none"> • Check that installation is secure at the installation openings on the container and container hanger. • Make sure that slotted nuts and split pins are installed correctly. <p>Failure to follow these instructions may cause damage on the container or spill of the chain from the container.</p>

 DANGER	
 PROHIBITED	<ul style="list-style-type: none"> • Be sure to use the number of adjusting spacers specified in Tables 1, 2, and 3. <p>Failure to follow this instruction may cause an accidental fall or derailment of trolley.</p>



7. Installing a Rail End Stopper



- When using a 2-wheel trolley with a KC type steel chain container, install the stopper in a position as shown in the figure to the left so that it securely receives the trolley wheel (the trolley frame when using GT or PT) while also not coming into contact with the 2-wheel trolley.



8. Precautions for use

 CAUTION	
 COMPULSORY	<ul style="list-style-type: none">• Lifting at an angle is strictly prohibited. When lifting loads, be sure to stand directly below the chain hoist.• When using the equipment outdoors, rainwater may enter the container. Remove the oil plug to drain water as necessary.• Refer to and carefully read the ER2 Series Electric Chain Hoist Owner's Manual for more information. <p>Failure to follow these precautions may result in death or serious injury.</p>

